



LED SPOTLIGHT ESSENCE



KEY FEATURES

- Fast installation
- Replacement of 50W halogen
- Up to 50% energy savings
- Efficiency up to 92lm/W
- Extra size ring, perfect for replacement.
- Payback time 1 to 3 years
- 3 years Pragmalux warranty

APPLICATIONS



3000K version



Junction box

SPECIFICATIONS

Item code	Description	W	lm	lm/W	Kelvin	CRI	Input current	Lifetime L80B10	Equivalent	Beam angle
4600598	LED Spotlight Essence 6.5W 3000K 40° Ø85mm Cutout Ø68-75mm 40° Tilttable White	6.5	550	85	3,000	≥80	0.06A	50,000	50W HAL	40°
4600604	LED Spotlight Essence 6.5W 4000K 40° Ø85mm Cutout Ø68-75mm 40° Tilttable White	6.5	600	92	4,000	≥80	0.06A	50,000	50W HAL	40°

TECHNICAL DATA

Electrical data	
Voltage (V)	220-240
Frequency (Hz)	50/60
Power factor (λ)	≥0.5
Operating mode	Integrated LED Driver
Electrical connection	Max 2x2,5 mm² wire
Total harmonic distortion	≤ 20 %

Certificates & standards	
Driver certificates	CE
Fixture certificates	CE
Ingress protection	IP20
Protection class	II
Protection class IK	03
Glow Wire Test (IEC 695-2-1)	650°C
Photobiological safety group EN62778	RG1

Temperatures & operating conditions

Ambient temperature	25°C
Operating temperature	-20 ~ +40°C
Storage temperature	-20 ~ +60°C

Colors & materials

Color (Housing)	White (RAL9016)
Material (Housing)	PC
Material (Diffuser)	PC

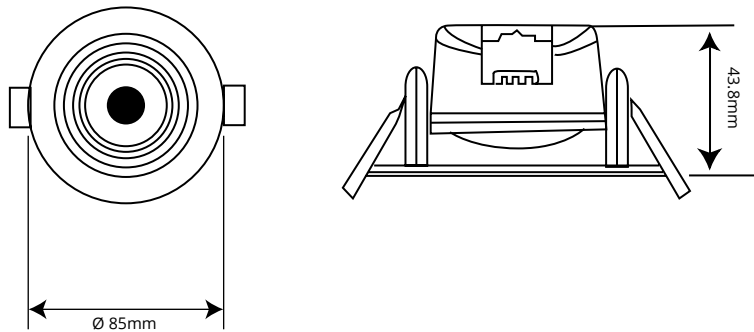
Capabilities

UGR	≤19
Dimmable	No
Type of connection	Push Terminal, 2-pole
LED Module replacable	No
Installation	Through-wiring Possible; 40° Tilttable

SPECIFICATIONS DRIVERS

Item code	Description	Driver failure rate at 5,000h	Inrush current Ipeak	Inrush current Twidth	Max. No. of drivers on MCB Type B 10A	Max. No. of drivers on MCB Type B 16A	Max No.of drivers on MCB Type C 10A	Max. No. of drivers on MCB Type C 16A
4600598	LED Spotlight Essence 6.5W 3000K 40° Ø85mm Cutout Ø68-75mm 40° Tilttable White	≤1%	< 15A	200µs	111	177	111	177
4600604	LED Spotlight Essence 6.5W 4000K 40° Ø85mm Cutout Ø68-75mm 40° Tilttable White	≤1%	< 15A	200µs	111	177	111	177

DIMENSIONS



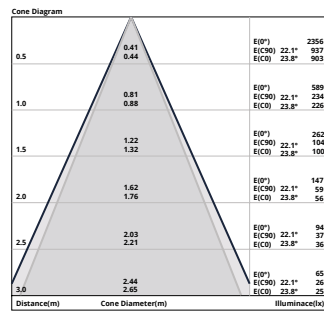
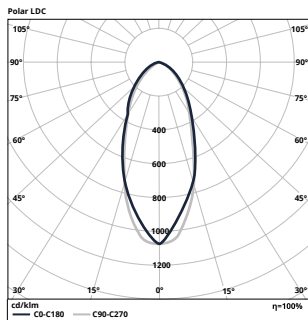
PRAGMALUX

All rights reserved. Pragmalux - PDL Lighting Group B.V. retains the right to modify product specifications without any prior notice or obligation and does not assume any liability for any consequences of using this document. Subject to errors and printing errors. Luminous flux tolerance: +/- 10%. Power consumption tolerance: +/- 10%.

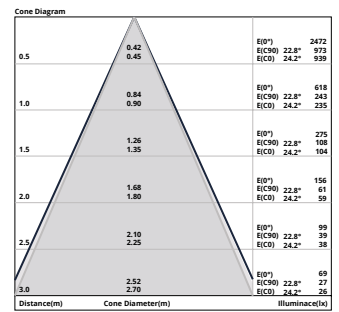
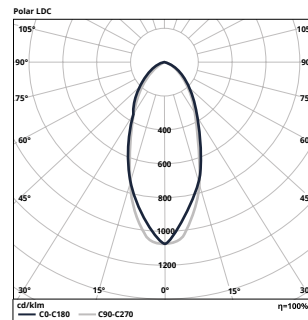
Version: August 2019

PHOTOMETRIC SPECIFICATIONS

LED Spotlight Essence 6.5W 3000K



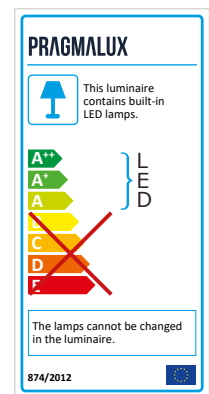
LED Spotlight Essence 6.5W 4000K



PACKAGING INFORMATION

Item code	Description	Single box		Master carton		
		Dimensions(LxWxH) (mm)	Weight(kg)	Units per master carton	Dimensions(LxWxH) (mm)	Weight(kg)
4600598	LED Spotlight Essence 6.5W 3000K 40° Ø85mm Cutout Ø68-75mm 40° Tilttable White	90x90x60	0.175	60	390x300x330	9
4600604	LED Spotlight Essence 6.5W 4000K 40° Ø85mm Cutout Ø68-75mm 40° Tilttable White	90x90x60	0.175	60	390x300x330	9

APPLICATIONS



PRAGMALUX

All rights reserved. Pragmalux - PDL Lighting Group B.V. retains the right to modify product specifications without any prior notice or obligation and does not assume any liability for any consequences of using this document. Subject to errors and printing errors. Luminous flux tolerance: +/- 10%. Power consumption tolerance: +/- 10%.

Version: August 2019